

FUSE

OPERATION

Double press to turn light on.

Single press to toggle between modes.

Two second hold until single flash will activate DayBright pulse pattern.

Three second hold until two flashes to turn light off.

If the light is left on when the bike is powered down it will turn on immediately when the bike is next turned on.

NB If the light does not turn on, make sure the light function is active on the bike console.

MAINTENANCE

Inspect and test your light and bracket before every ride.

Keep your light clean and free of dirt, be careful when cleaning any mud or dirt from the lens to avoid scratching.

Never use a high pressure spray or hose on your light.

Do not use harsh, abrasive or corrosive materials to clean your light.

Ultimate Sports Engineering Ltd
Unit 4 Bury Mill Farm
Bury
West Sussex
RH20 1NN
United Kingdom

#ownthenight



FUSE

⚠ PLEASE TAKE YOUR E-BIKE AND EXPOSURE E-BIKE LIGHT TO AN AUTHORISED DEALER FOR YOUR MOTOR MANUFACTURER FOR INSTALLATION.

MINIMUM TOOLS REQUIRED (AUTHORISED DEALER USE)

- Hex keys: 2.5mm and 3mm
- Pliers with side cutter
- Wire strippers
- Check manufacturers handbook for tools required to dismantle bike for cable routing

PRELIMINARIES

For appropriate systems link the bike to the appropriate diagnostics app and enable the light options.

Check the manufacturers' websites for latest output capability of bike motor.

Take to your local authorised E-Bike motor dealer. The diagnostics required to enable the use of E-Bike lights is not available to non-affiliated workshops.

FIT THE BRACKET TO THE BARS

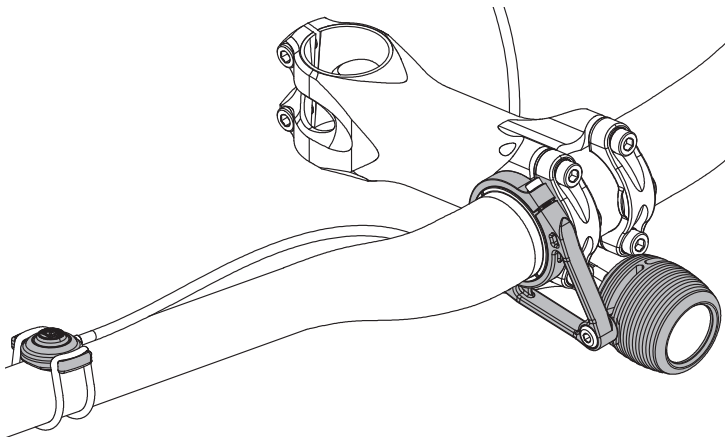
Use the appropriate shims:

- Pre-installed – 25.4mm Bars
- Slim Shim – 31.6mm Bars
- No Shim – 35mm Bars

The bracket should be fitted to the bars on the drive side (right-hand side when in the saddle) of the stem and pointed down approx. 45 degrees, to ensure the cables can route below the stem without interference.

Tighten bolts to 4Nm.

Attach remote near to either grip with appropriate O-ring.



FIT THE MOTOR SPECIFIC CABLE TO THE BIKE (BOSCH, BROSE AND YAMAHA)

⚠ PLEASE TAKE YOUR E-BIKE AND EXPOSURE E-BIKE LIGHT TO AN AUTHORISED DEALER FOR YOUR MOTOR MANUFACTURER FOR INSTALLATION.

Route the power cable to the motor. Due to the extensive variety of bikes, routing and designs this is a case-by-case choice, if you need advice please contact your local supplier or the bike manufacturer.

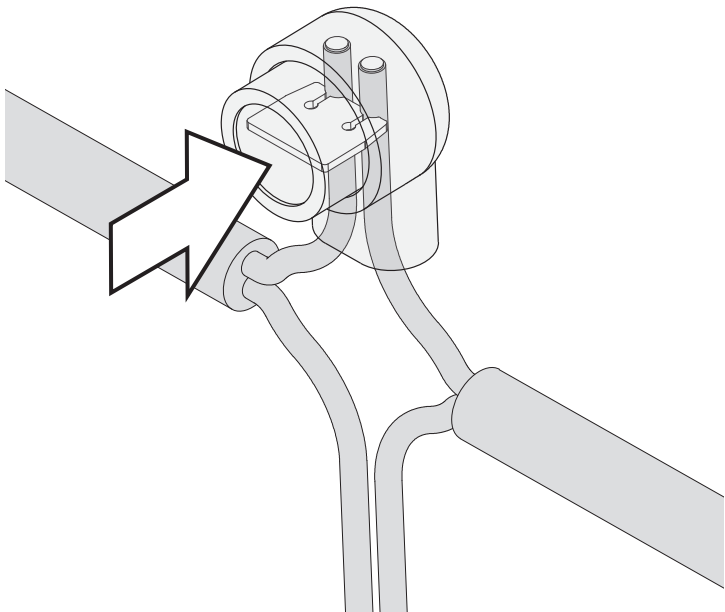
The connectors are specific to the outlet on the bike and take very little effort to engage. If you require force it is probably wrong.


Cut wires to length leaving enough to work with.

Strip outer casing to show 30mm cable. **DO NOT STRIP INNER WIRES.** The cables need the outer intact for a successful waterproof seal from the connector.

Fully insert similar coloured wires from light cable and motor cables into the same butt crimp. The cables must touch the 'back' of the crimp.

Use pliers to fully compress the button into the housing. This will strip and connect the wires, and the silica gel waterproofs the connection.



 **WARNING! IF THE NEXT STEPS ARE NOT PERFORMED CORRECTLY YOU MAY DAMAGE YOUR BIKE, LIGHT; OR BOTH.**

The lights will draw as much power as they require to run the LEDs at their brightest. This means that if the light can draw more power than is available from the bike it may damage the bike motor. Ensure to match the current setting of the light to the power output of the bike.

The light will automatically detect the voltage of the motor you're plugging it in to. To select the correct power setting, **hold the button down for 20 seconds** (the light will emit a rapid set of flashes) then follow the tables below:

6V

CURRENT	BUTTON INPUT	BUTTON FEEDBACK
1.5A	HOLD BUTTON FOR 20 SEC, RELEASE BUTTON	GREEN
2A	HOLD BUTTON FOR 20 SEC, RELEASE, PRESS BUTTON ONCE	AMBER
2.5A	HOLD BUTTON FOR 20 SEC, RELEASE, PRESS BUTTON TWICE	RED

12V

CURRENT	BUTTON INPUT	BUTTON FEEDBACK
1A	HOLD BUTTON FOR 20 SEC, RELEASE BUTTON	GREEN FLASH
1.5A	HOLD BUTTON FOR 20 SEC, RELEASE, PRESS BUTTON ONCE	AMBER FLASH
2A	HOLD BUTTON FOR 20 SEC, RELEASE, PRESS BUTTON TWICE	RED FLASH

When the light is off a single button press will indicate the active current limit by the button colour.

#ownthenight

