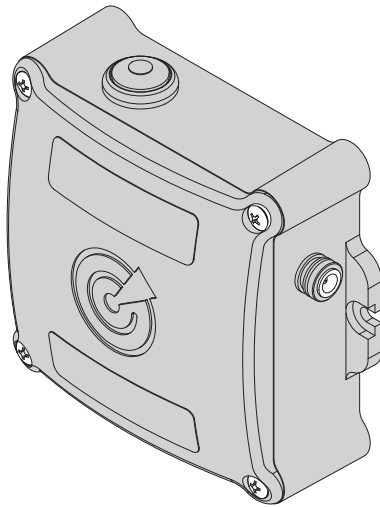




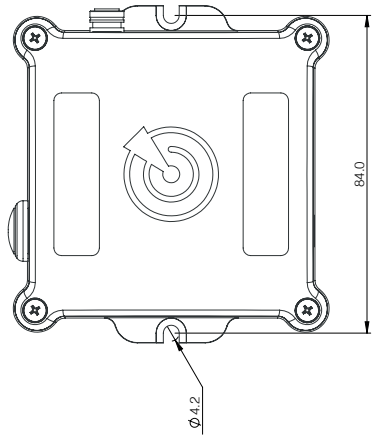
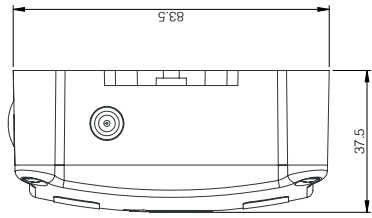
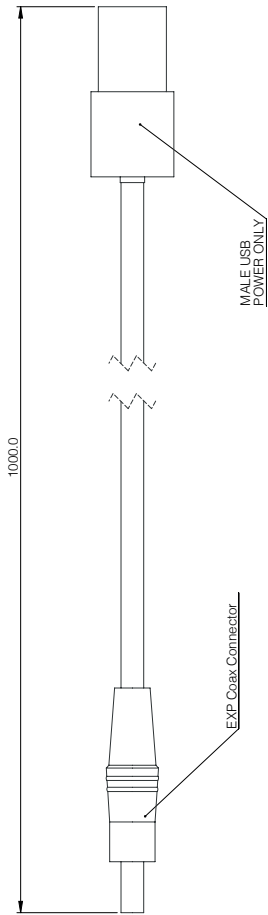
# EXPOSURE GLAS



WIRELESS  
SAFETY 

# EXTENDER





All dimensions are in mm

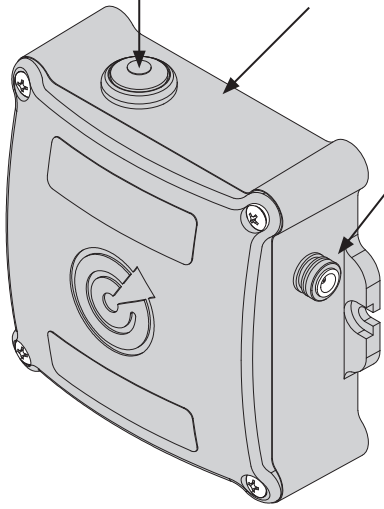




Control Switch with red indication LED

Extender Hub

Power connection





## THE OLAS EXTENDER

The Extender is used as a repeater enabling OLAS transmitters to repeat their signal back to the OLAS receivers, the Guardian/Core. The Extender should be used where false alerts occur due to signal being lost.

The Extender can only be used alongside the Guardian or Core, it cannot operate without one of these devices.

Only 1 Extender can be used within the OLAS system.

The Extender can operate portably using its inbuilt battery or can be connected to a power supply for continuous use.

## OLAS TRANSMITTERS

The OLAS tag and the OLAS Float-On are considered OLAS transmitters. They emit a Bluetooth signal which is monitored by the OLAS receivers.

## OLAS RECEIVERS

The OLAS receivers track the OLAS transmitters. OLAS receivers are:

1. Guardian
2. Core
3. OLAS Mobile application
4. Extender - This operates as a repeater to double the range of the Guardian and Core



## EXTENDER OPERATION



**Before first use fully charge your Extender by connecting to a 5V USB power supply using the charging lead provided**

1. Charge up your Extender by connecting it to a 5V USB supply, it will take 3 hours to charge from flat
2. Setup your existing OLAS system using the Core/Guardian
3. From ON, switch your Core/Guardian into pairing mode by pressing the control switch for 8 seconds, after hearing the 3rd beep release the switch, a triple beep will follow
4. Press the control switch once to switch the Core/Guardian back ON
5. For 1 minute the Core/Guardian will search for an unpaired Extender
6. Within the 1 minute hold the Extender near the Core/Guardian and press the button once on the Extender, the switch light will illuminate red
7. After a few seconds the light will start to flash to indicate that it has paired
8. For future operation the Extender will automatically reconnect to the Core/Guardian

**NOTE:** Only 1 Extender can be connected to a Core/Guardian. Once paired it will remain paired with that device until it is unpaired.

## EXTENDER SETUP

1. With your Core/Guardian in their permanent location walk towards the area where the connection is normally broken between an OLAS transmitter and the Core/Guardian
2. The button will illuminate solid red when the connection between the Core/Guardian and the Extender is broken
3. Walk back towards the Core/Guardian until the red light starts flashing and then continue for around 2 metres
4. Find a location within this area to securely hold the Extender. If being used as a permanent solution a 5V USB power supply is required
5. Walk around your vessel with your OLAS transmitter to ensure all areas are now within range

## DISCONNECTING AN EXTENDER SO IT CAN BE USED WITH A DIFFERENT CORE/GUARDIAN

1. Press the control switch on the Extender for 2 seconds, the red light will illuminate for 2 seconds before switching OFF. The Extender is OFF
2. From ON, switch your Core/Guardian into pairing mode by pressing the control switch for 8 seconds, after hearing the 3rd beep release the switch, a triple beep will follow
3. Press the control switch on the Core/Guardian once to switch back ON
4. Leave the Core/Guardian ON for at least 1 minute. **DO NOT** switch the Extender back ON during this period
5. After 1 minute the Core/Guardian will no longer be paired with the Extender

**NOTE:** Whilst the Core/Guardian is alarming or in Paused state the red light on the Extender will switch OFF. When the Core/Guardian return to tracking the Extender will automatically reconnect.

## LIMITATIONS

The connection signal can be blocked by carbon and metal. Operation on carbon or metal boats will require the Guardian box to be mounted externally.

## SOUND & LIGHT INDICATIONS

INDICATION	MEANING
Switch: Red LED flashing	Connected to the Core or Guardian and successfully transmitting
Switch: Red LED solid	Not connected to the Core or Guardian. Please check the Core or Guardian are switched ON and the Extender has been paired
Switch: No LED	Either: The Extender is OFF, press the button once to turn ON. If it will not power on connect it to a 5V USB power supply

## SPECIFICATION

Power/Current	5V / 13~17mA
Vessel length	Extends Core/Guardian range by 30ft
Connected Transmitters	Up to 15
Weight	115 grams
Size	92 x 90 x 38 mm
Recharge time	3 hours
Connected Runtime (with battery)	80 hours

## CERTIFICATIONS AND DECLARATIONS

RoHS2 DIRECTIVE 2011/65/EU

(RED) (2014/53/EU)

EN 301 489-1 V2.1.1, EN 301 489-17 V3.1.1, EN 55032:2015

(CSPR 32:2015) and EN 55035: 2017 (CSPR 35: 2016)

EN 300 328 V2.1.1

FCC part 15b CFR47

ICES-003:2012

Contains Transmitter module FCC ID: QOQBGM13P

Contains Transmitter module IC: 5123A-BGM13P

## WARNING & WARRANTY

Any change or modification to this unit not expressly approved by the party responsible for compliance could void the user's authority to operate the equipment.

This equipment has been tested and found to comply with the limits for a Class B digital device, pursuant to Part 15 of the FCC Rules. These limits are designed to provide reasonable protection against harmful interference in a residential installation. This equipment generates, uses and can radiate radio frequency energy and, if not installed and used in accordance with the instructions, may cause harmful interference to radio communications. However, there is no guarantee that interference will not occur in a particular installation. If this equipment does cause harmful interference to radio or television reception, which can be determined by turning the equipment off and on, the user is encouraged to try and relocate the module.

This device complies with part 15 of the FCC Rules. Operation is subject to the following two conditions: (1) This device may not cause harmful interference, and (2) this device must accept any interference received, including interference that may cause undesired operation.

Exposure Lights / Ultimate Sports Engineering Ltd. accept no liability for any injuries or other damages arising from the use of their product in any circumstances.

We design them. We make them. We are here to help.

If you are experiencing any problems with your OLAS product or accessories please contact us directly at: Service: +44 (0)1798 839300 | [service@use.group](mailto:service@use.group)

Alternatively contact your Exposure OLAS dealer or distributor.  
Check web for details [www.alertandfind.com](http://www.alertandfind.com)

## TERMS & CONDITIONS

The OLAS systems are products from Ultimate Sports Engineering Ltd.

OLAS wireless systems utilise OLAS transmitters (OT) and OLAS receivers (OR).

OLAS transmitters consist of the OLAS tag and OLAS Float On.

OLAS receivers include the Core, the Core, the Extender and the OLAS mobile application (OLAS app)

Before using any OLAS wireless system it is imperative that you read the DISCLAIMER and the LIMITATION OF LIABILITY which follows. There is legal presumption that by using OLAS wireless systems you have read, understood and accepted the DISCLAIMER and the LIMITATION OF LIABILITY statement.

### Setup

Start and setup all OLAS systems before you leave the dock and ensure all OTs are connected. Connecting the OLAS app allows visual indication of connected OTs.

Check the battery level of OLAS tags using the OLAS app. Check the battery level of OLAS Float-On's using the inbuilt colour coded battery indicator.

### The OLAS App

Ensure GPS is running in the background on your mobile device. Keep your mobile device plugged in to a charger as GPS drains the battery. It is advised that the app is running in the foreground to enable maximum response time. It can take up to 30 second for the system to respond if the phone is in locked mode.

### Test the Connection Whilst In Dock

Test the connection between the OR and the OT by leaving the OR in its planned location and walk the OT to the furthest point on the vessel. Check that all OT's being used are working correctly by submersing them in more the 4 inches of open water which will activate the alarm on the receiver.

### Advice

As soon as a MOB situation occurs ensure a crew member keeps visual contact and points at the MOB. Contact the emergency services and give them the co-ordinates from your vessels GPS navigation system and the time since the MOB occurred.

Use OLAS Systems frequently as a practice aid for a MOB situation.

### Disclaimer:

OLAS wireless systems are an aid only and should be used alongside existing safety products and procedures. They should not be used for navigation or lifesaving procedures. The OLAS app GPS coordinates cannot be relied upon to be accurate. Whilst accuracy of between 10-30 metres can be achieved, many factors can cause larger variations. The OLAS app cannot and does not take the external environment into consideration. Wind, tide, current and other factors will affect the position of the MOB.

The OLAS app can only assist you in getting back to the position that the automatic alert was issued. The OLAS app is not warranted to be accurate. GPS reception is variable and cannot be relied on. The phone can take up to 40 seconds to get a good GPS lock even when GPS connectivity is available.

The OLAS app will be more accurate if already running for 1 minute before grabbing the GPS location. It is advised that the app is running in the foreground to enable maximum response time. It can take up to 30 second for the system to respond if the phone is in locked mode. The OLAS App should only be used to complement other MOB methods and procedures.



**Limitation of Liability:**

In no event shall Ultimate Sports Engineering Ltd or its members, representatives or suppliers be liable for any damages whatsoever (including, without limitation, loss of property, personal injury, lost revenue, lost profits, loss of goodwill, business interruption) arising from or related to the use or inability to use or reliance on any OLAS wireless system, even if Ultimate Sports Engineering Ltd or its representatives or agents have been advised of the possibility of such damages. Some jurisdictions prohibit the exclusion or limitation of liability for implied warranties or consequential damages or incidental damages, so the above limitation may not apply to you. You may have other legal rights that vary from jurisdiction to jurisdiction. To the extent any liability is found, in no event will the liability of Ultimate Sports Engineering Ltd, its members, representatives or suppliers exceed the amount paid for the OLAS wireless system inclusive of the OLAS transmitters and receivers.

**Patent Notice:**

The OLAS wireless systems and associated products may be covered by patents or patent pending applications.

Credits Product: Ultimate Sports Engineering Ltd



Ultimate Sports Engineering Ltd  
Unit 4 Bury Mill Farm  
Bury  
West Sussex  
RH20 1NN  
United Kingdom

EXPUG20  
v1.0

[www.alertandfind.com](http://www.alertandfind.com)

MADE IN  
GREAT BRITAIN

